



ZANOTTI Spa
Via M.L. King, 30
46020 - Pegognaga (MN) - ITALY
Tel. +39 0376 5551
Fax +39 0376 536554
info@zanotti.com

Technical specifications

Version 1.20

Model:

BSB235T02F

Class:

Uniblock SB

Technical data

| Characteristics | M.U. | Value |
|---------------------|------------|------------|
| Working temperature | °C | -15 ÷ -25 |
| Starting mode | | Direct |
| Voltage | Volt-Ph-Hz | 400/3N~/50 |
| Rated input | kW* | 4.40 |
| Rated input | Amp* | 10.00 |
| Peak current | Amp | 86.0 |
| Max current | Amp | 20.8 |
| Refrigerant | | R404A |
| Defrost | | Hot gas |
| Mass | Kg | 165 |

Compressor

| | | |
|---------------|----|----------|
| Type | | Hermetic |
| Nominal power | kW | 3.7 |

Condenser

| | | |
|----------|------|------|
| Air flow | m³/h | 3100 |
|----------|------|------|

Evaporator

| | | |
|-----------|------|------|
| Air flow | m³/h | 3450 |
| Air throw | m** | 10 |



Power data

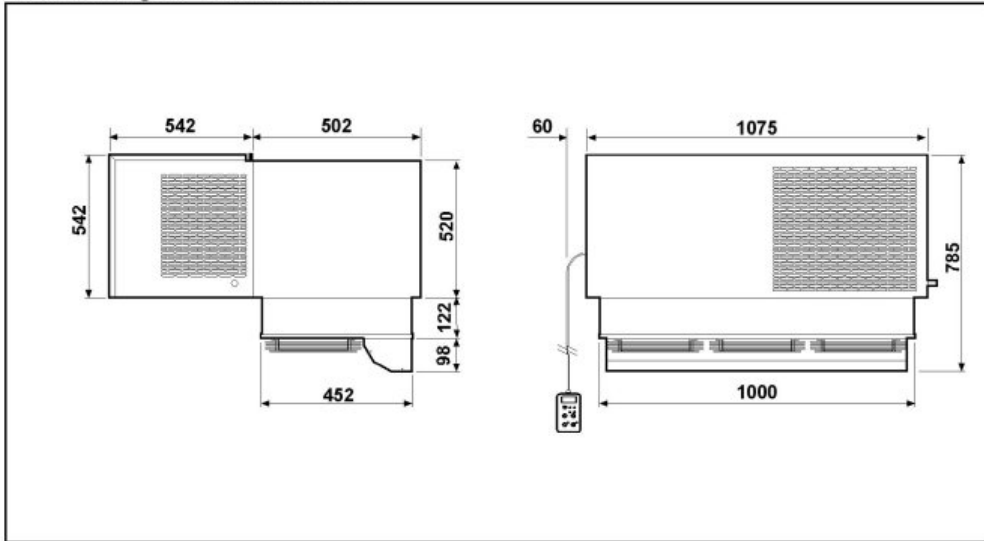
| Tc °C | Ta °C | P watt | P Kcal/h | V120 m³ | V100 m³ | V80 m³ |
|----------|----------|-----------|-------------|------------|------------|-----------|
| | 20 | 6197 | 5329 | 99 | 88 | 77 |
| | 25 | 5761 | 4954 | 88 | 78 | 69 |
| | 30 | 5346 | 4598 | 78 | 69 | 61 |
| -15 | 35 | 4940 | 4248 | 69 | 61 | 54 |
| | 40 | 4535 | 3900 | 60 | 53 | 47 |
| | 20 | 5284 | 4544 | 77 | 69 | 60 |
| | 25 | 4861 | 4180 | 67 | 60 | 52 |
| | 30 | 4459 | 3835 | 58 | 52 | 45 |
| | 35 | 4068 | 3498 | 50 | 44 | 39 |
| -20 | 40 | 3679 | 3164 | 41 | 36 | 32 |
| | 20 | 4414 | 3796 | 57 | 51 | 44 |
| | 25 | 4007 | 3446 | 48 | 43 | 37 |
| -25 | 30 | 3621 | 3114 | 40 | 36 | 31 |
| | 35 | 3250 | 2795 | 33 | 29 | 26 |
| | 40 | 2889 | 2485 | 26 | 23 | 20 |

* When normally running: -20 ÷ +30°C

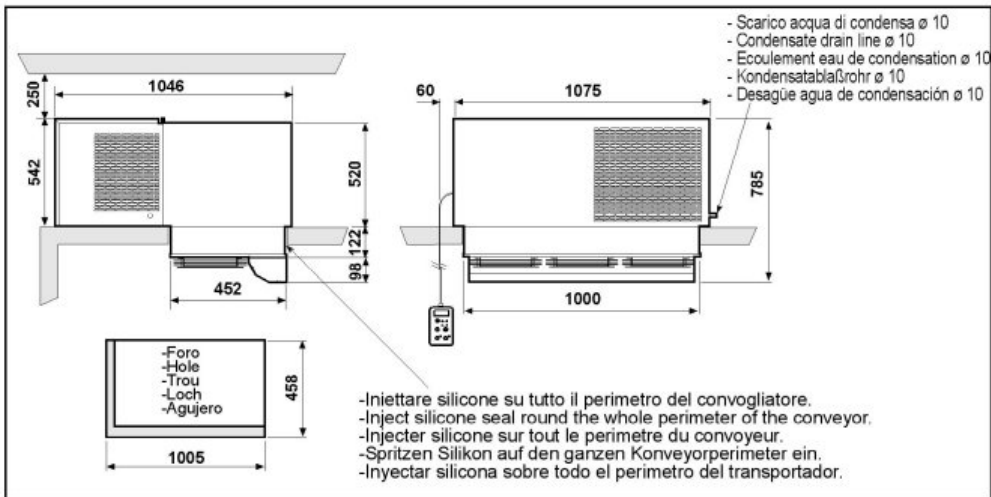
** Use air throw as a base. Air throw is affected by many factors such as height of room, product storage, location of evaporator, etc.

Tc: Coldroom temp. - Ta: External temp.

P: Refrigerant capacity - V: Recommended cold-room volume



Schema di montaggio - Mounting scheme - Schema de montage
Montageschema - Esquema de montaje



- * Raccomandazioni in sede di installazione e per il controllo fornite sul manuale di installazione
- * To be advised at time of order for factory installation and operating instructions
- * Recommendations au moments d'installations et pour le contrôle fournis sur le manuel d'installation
- * Empfehlungen für die Installationsphase und zur Kontrolle, die im Handbuch zur Installation enthalten sind
- * Por cuanto respecta a recomendaciones de instalación y control ver manual de instalación

Massa e misure imballi - Packing mass and dimensions - Masse et dimensions emballages
Verpackungsmasse und-abmessungen - Masa y medidas del embalaje

