



**ZANOTTI Spa**  
 Via M.L. King, 30  
 46020 - Pegognaga (MN) - ITALY  
 Tel. +39 0376 5551  
 Fax +39 0376 536554  
 info@zanotti.com

# Technical specifications

Version 1.20

Model:

**MRS250N01F**

Class:

**Uniblock RS**

## Technical data

| Characteristics     | M.U.       | Value      |
|---------------------|------------|------------|
| Working temperature | °C         | +10 ÷ -5   |
| Starting mode       |            | Direct     |
| Voltage             | Volt-Ph-Hz | 400/3N~/50 |
| Rated input         | kW*        | 9.60       |
| Rated input         | Amp*       | 23.20      |
| Peak current        | Amp        | 123.0      |
| Max current         | Amp        | 36.0       |
| Refrigerant         |            | R404A      |
| Defrost             |            | Electric   |
| Defrost heaters     | watt       | 12750      |
| Mass                | Kg         | 613        |

## Compressor

|               |    |          |
|---------------|----|----------|
| Type          |    | Hermetic |
| Nominal power | kW | 7.4      |

## Condenser

|          |                   |       |
|----------|-------------------|-------|
| Air flow | m <sup>3</sup> /h | 13700 |
|----------|-------------------|-------|

## Evaporator

|           |                   |       |
|-----------|-------------------|-------|
| Air flow  | m <sup>3</sup> /h | 14300 |
| Air throw | m**               | 25    |



## Power data

| Tc<br>°C | Ta<br>°C | P<br>watt | P<br>Kcal/h | V100<br>m <sup>3</sup> | V80<br>m <sup>3</sup> | V60<br>m <sup>3</sup> |
|----------|----------|-----------|-------------|------------------------|-----------------------|-----------------------|
| 10       | 20       | 33924     | 29175       | 790                    | 719                   | 656                   |
|          | 25       | 31905     | 27438       | 738                    | 672                   | 613                   |
|          | 30       | 29855     | 25675       | 685                    | 623                   | 569                   |
|          | 35       | 27799     | 23907       | 632                    | 575                   | 525                   |
|          | 40       | 25763     | 22156       | 580                    | 528                   | 481                   |
| 5        | 45       | 23772     | 20444       | 530                    | 482                   | 440                   |
|          | 20       | 29368     | 25256       | 673                    | 612                   | 559                   |
|          | 25       | 27561     | 23702       | 626                    | 570                   | 520                   |
|          | 30       | 25731     | 22129       | 580                    | 528                   | 481                   |
|          | 35       | 23895     | 20550       | 533                    | 485                   | 442                   |
| 0        | 40       | 22073     | 18983       | 480                    | 437                   | 398                   |
|          | 45       | 20283     | 17443       | 436                    | 397                   | 362                   |
|          | 20       | 25262     | 21725       | 568                    | 517                   | 471                   |
|          | 25       | 23786     | 20456       | 530                    | 482                   | 440                   |
|          | 30       | 22225     | 19114       | 484                    | 440                   | 402                   |
| -5       | 35       | 20630     | 17742       | 444                    | 404                   | 369                   |
|          | 40       | 19055     | 16387       | 405                    | 369                   | 336                   |
|          | 45       | 17552     | 15095       | 368                    | 335                   | 305                   |
|          | 20       | 21528     | 18514       | 467                    | 425                   | 388                   |
|          | 25       | 20132     | 17314       | 432                    | 393                   | 359                   |
| -5       | 30       | 18728     | 16106       | 397                    | 361                   | 330                   |
|          | 35       | 17329     | 14903       | 362                    | 329                   | 300                   |
|          | 40       | 15946     | 13714       | 328                    | 298                   | 272                   |
|          | 45       | 14592     | 12549       | 295                    | 268                   | 245                   |

\* When normally running: 0 ÷ +30°C

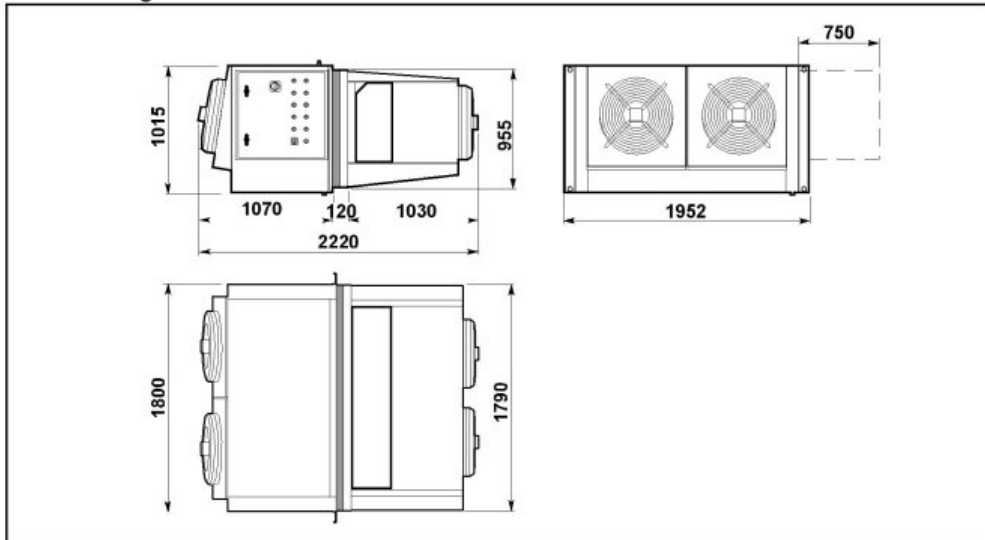
\*\* Use air throw as a base. Air throw is affected by many factors such as height of room, product storage, location of evaporator, etc.

Tc: Coldroom temp. - Ta: External temp.

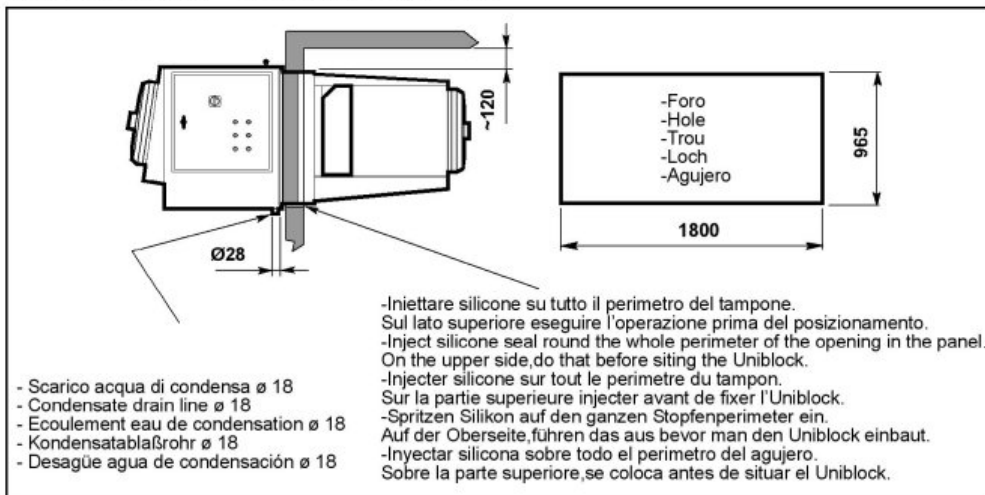
P: Refrigerant capacity - V: Recommended cold-room volume

Dimensioni - Dimensions - Dimensions  
Abmessungen - Dimensiones

**RS250**

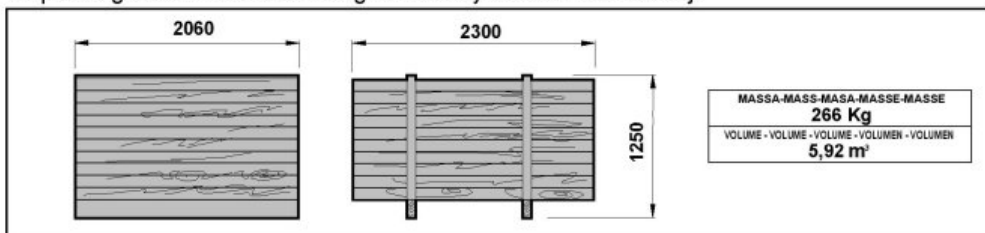


Schema di montaggio - Mounting scheme - Schema de montage  
Montageschema - Esquema de montaje



- \* Raccomandazioni in sede di installazione e per il controllo fornite sul manuale di installazione
- \* To be advised at time of order for factory installation and operating instructions
- \* Recommendations au moments d'installations et pour le contrôle fournis sur le manuel d'installation
- \* Empfehlungen für die Installationsphase und zur Kontrolle, die im Handbuch zur Installation enthalten sind
- \* Por cuanto respecta a recomendaciones de instalación y control ver manual de instalación

Massa e misure imballi - Packing mass and dimensions - Masse et dimensions emballages  
Verpackungsmasse und-abmessungen - Masa y medidas del embalaje



**ZANOTTI S.p.A.**